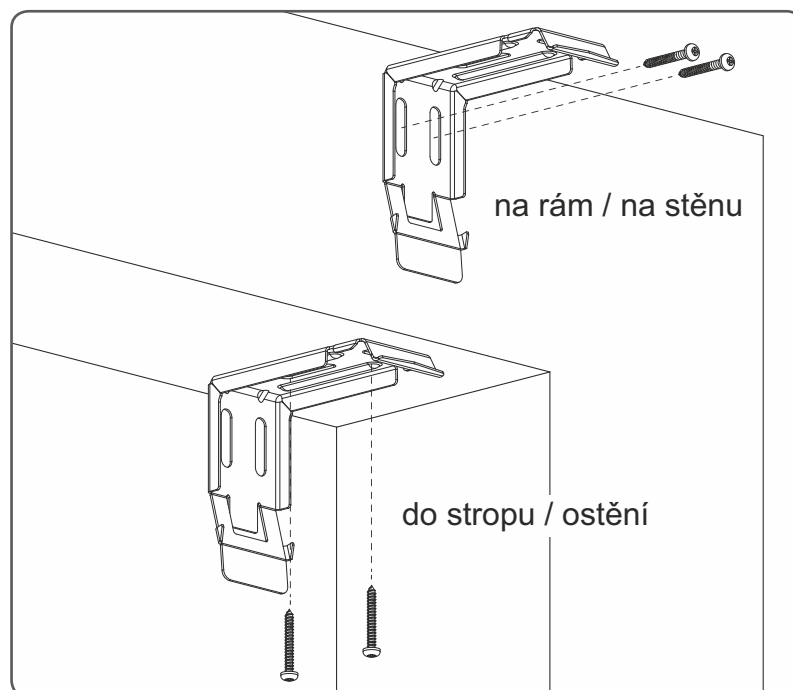
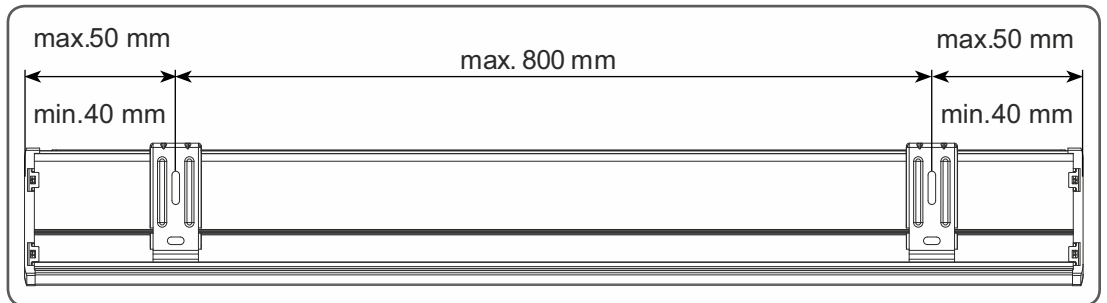
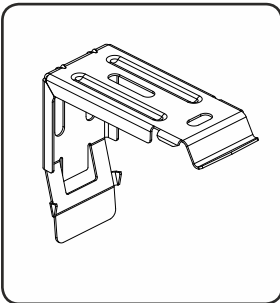
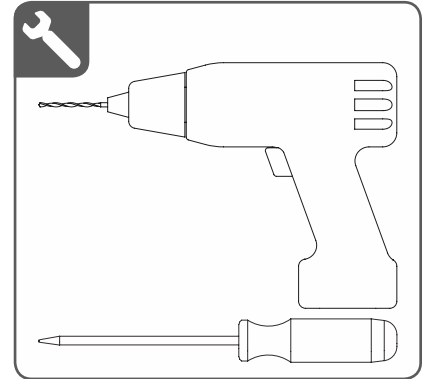
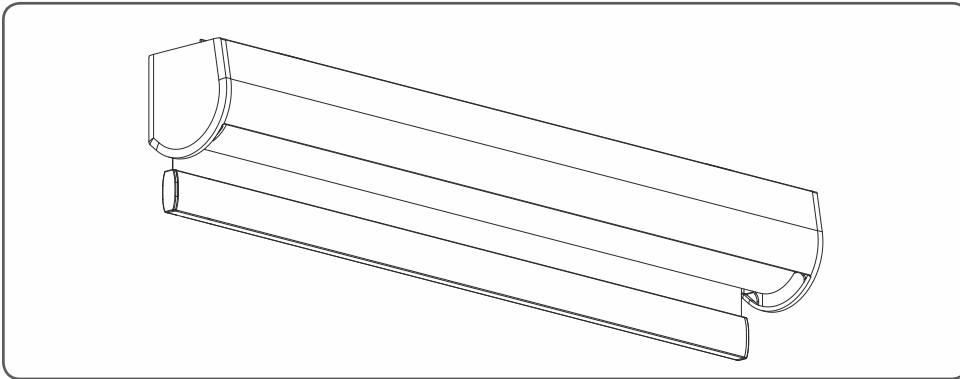
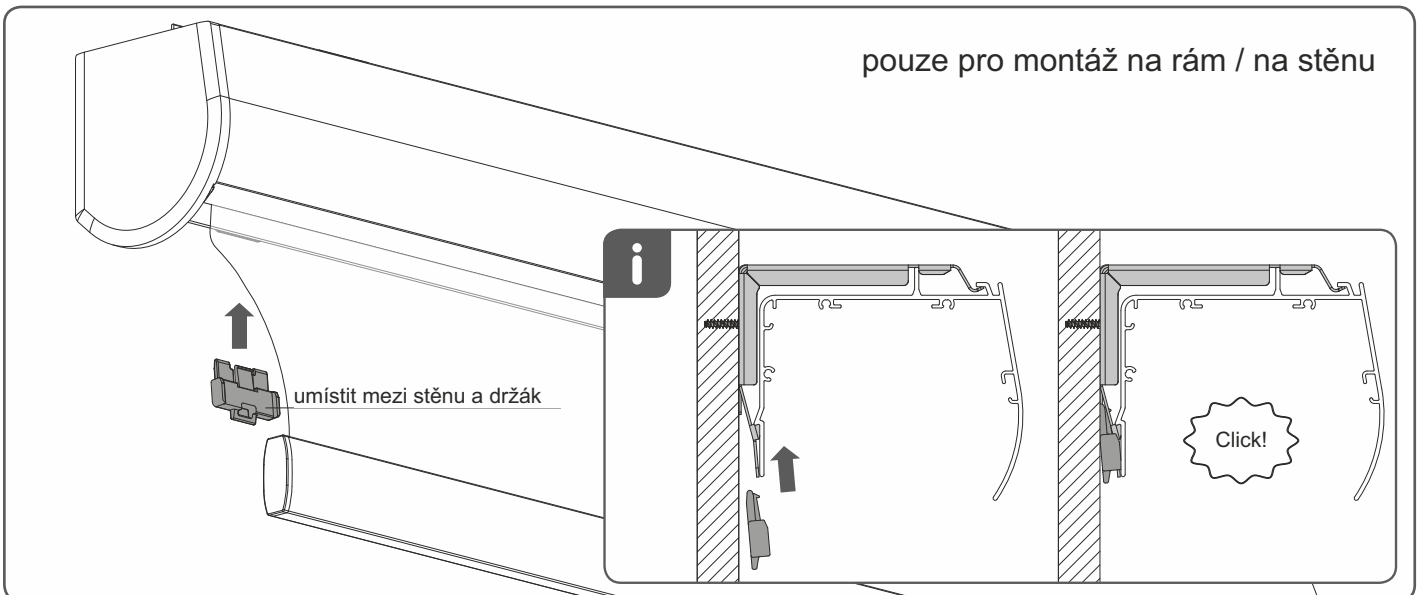
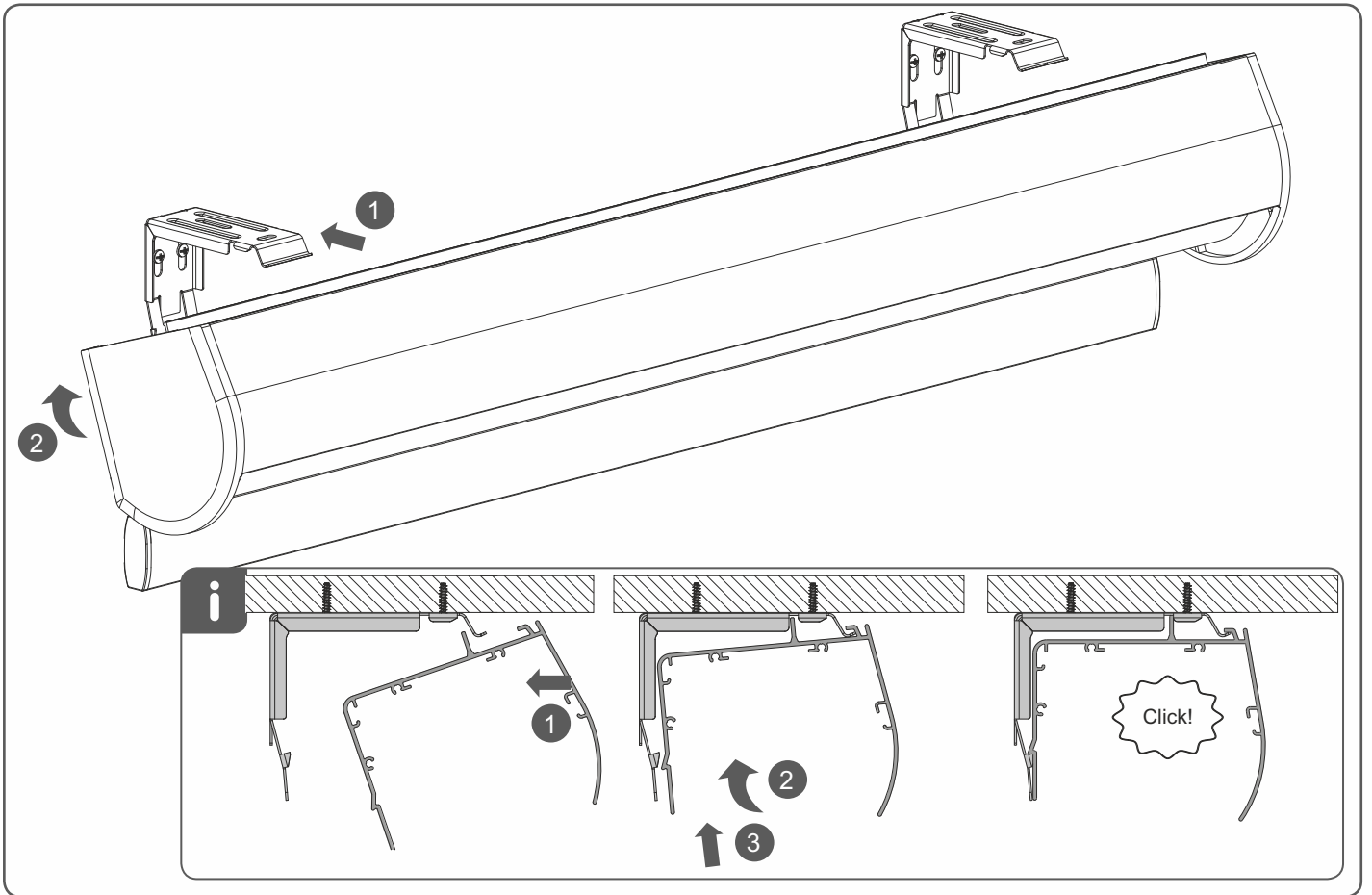
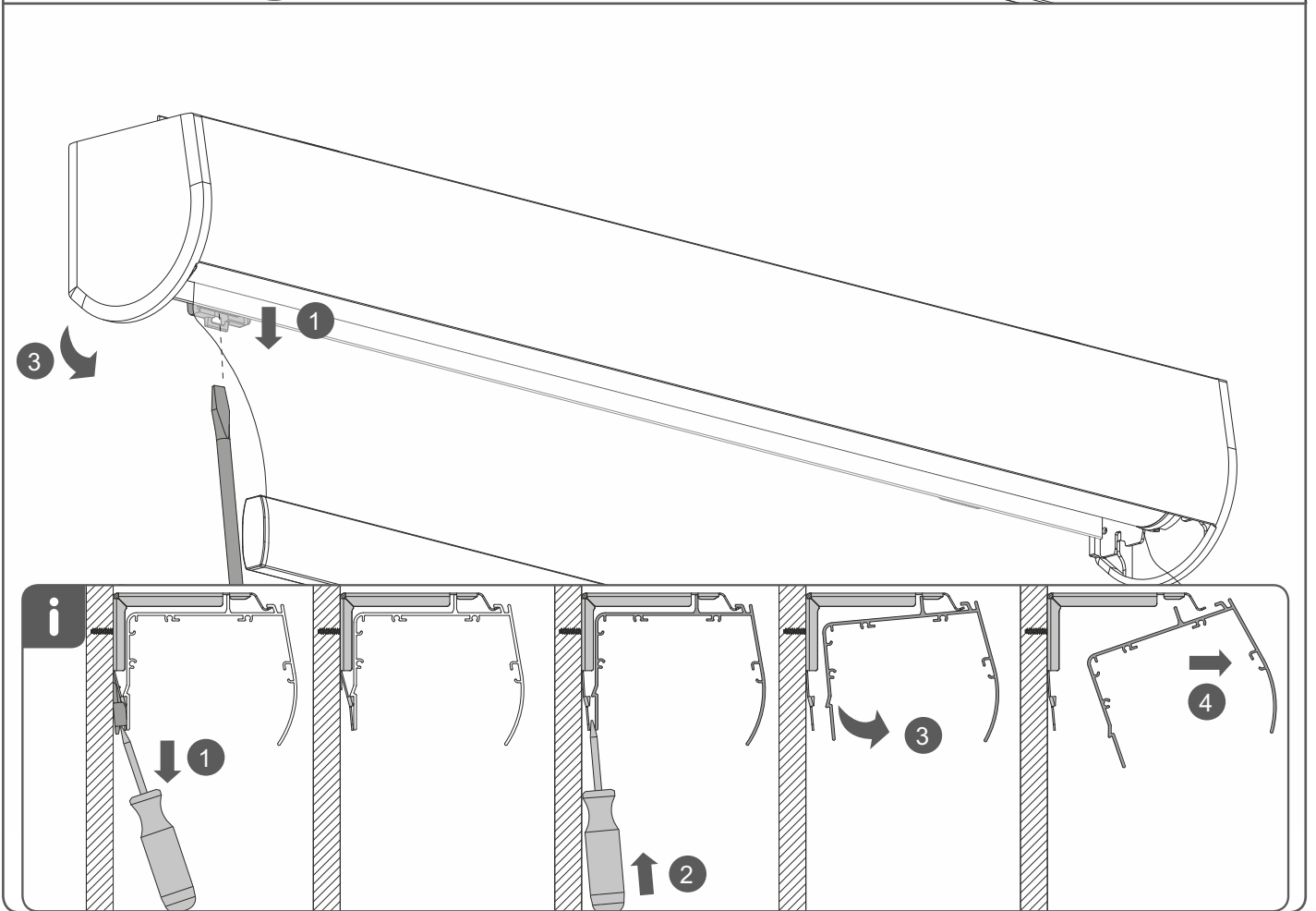
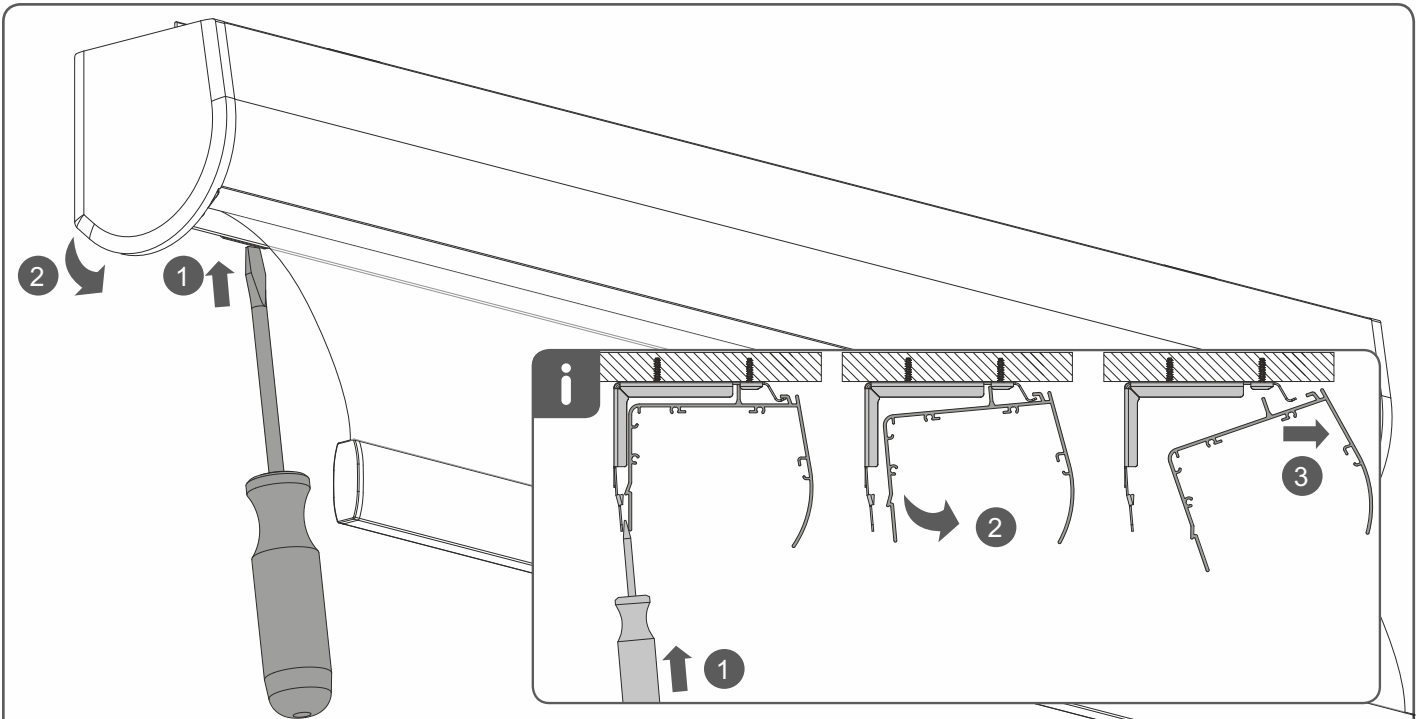


# pružinové rolety GEMINI



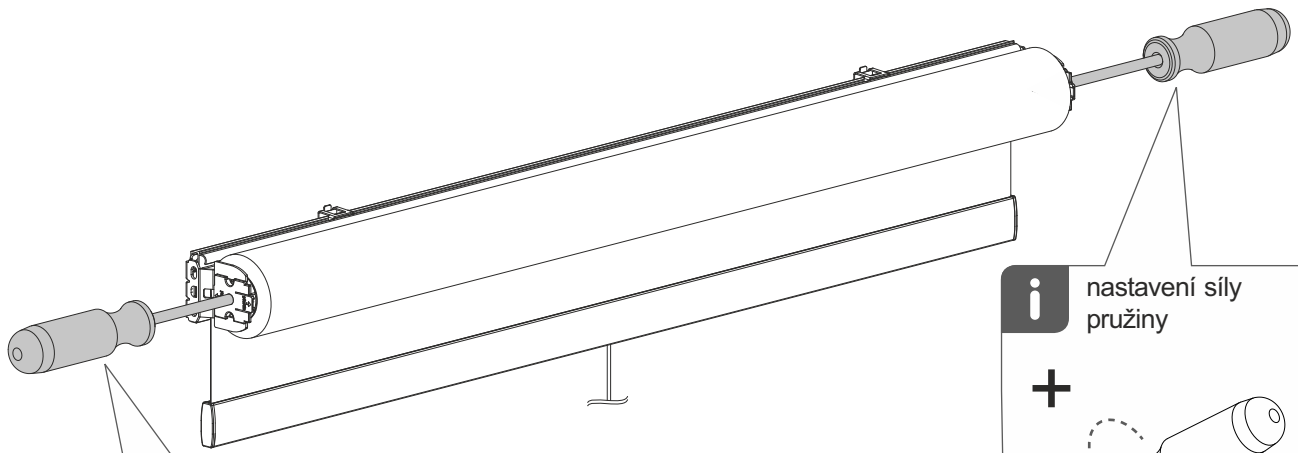


# DEMONTÁŽ



## Nastavení pružiny

1. sundejte boční krytky



**i** nastavení horního dorazu

nahoru

dolů

Two diagrams showing the adjustment of the top stop. The top diagram shows the adjustment screw being turned clockwise, indicated by a dashed arrow and the word 'nahoru' (up). The bottom diagram shows the adjustment screw being turned counter-clockwise, indicated by a dashed arrow and the word 'dolů' (down).

**i** nastavení síly pružiny

+

-

Two diagrams showing the adjustment of the spring force. The top diagram shows the adjustment screw being turned clockwise, indicated by a dashed arrow and a '+' sign. The bottom diagram shows the adjustment screw being turned counter-clockwise, indicated by a dashed arrow and a '-' sign.